

LD Multi-Mount Step Installation Instructions

Part No's: 115771 / 115772 / 115774 / 115777



Quality and Style that Endures

Follow the diagram and the written directions carefully for a proper, safe installation.

Should you encounter an unusual, unforeseen problem, contact our Technical Help Line

7:00 AM – 3:00 PM Pacific Time

(951) 719-1068

Visit our web-site at

www.CARR.com

Carr Pattern Co., Inc.

Vehicle Application:

Mercedes Sprinter Van
'10-'19

Dodge Sprinter Van
'07-'09

(WILL NOT FIT WITH A/C LINES)

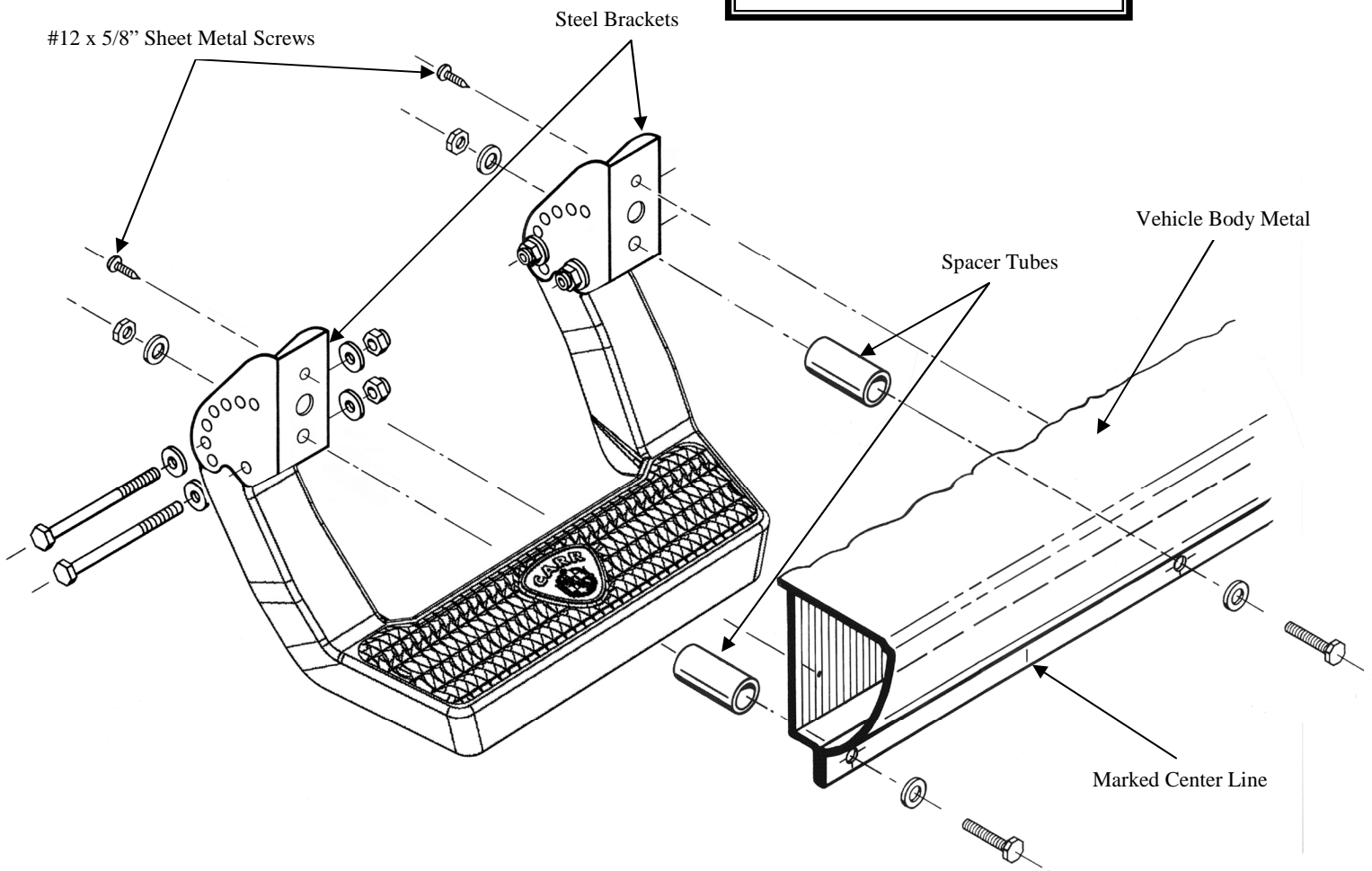
MATERIAL NEEDED:

Drill motor, 3/8" drill bit, 1/4" drill bit, 1/8" drill bit, pencil, Phillips screw driver, center punch, two 1/2" wrenches, two 7/16" wrenches, and silicone.

MATERIAL FURNISHED:

Two castings, four zinc plated steel brackets, instruction page and two hardware packs (**Important! Not all of the parts in these hardware packs may be needed for proper installation.**)

**WAX YOUR STEP ON A
REGULAR BASIS TO
MAINTAIN ITS LUSTER**





LD Multi-Mount Step Installation Instructions

Part No's: 115771 / 115772 / 115774 / 115777



WARNINGS!

- ✓ Do not over tighten the nuts and bolts or damage to the castings and or stripping of the threads could result.
- ✓ **FOR SAFE AND PROPER USAGE OF THIS PRODUCT, THE MOUNTING INSTRUCTIONS MUST BE FOLLOWED CAREFULLY AND COMPLETELY.**
- ✓ The manufacturer and distributor of this product are in no way responsible for the consumer's failure to adhere to the warnings and directions of these instructions in the event of damage to the consumer's vehicle, other properties and or personal injury.
- ✓ **REFER TO DIAGRAM "A" WIRE HARNESS. STEP "12" ON THIS PAGE MUST BE FOLLOWED, IF NOT ELECTRICAL DAMAGE TO YOUR VEHICLE MAY OCCUR.**

1. Assemble the steel brackets to the step as shown in the drawing but only hand tighten.
2. For the proper position of the step, the front edge of the seat while in normal driving position should be in line with the center of the step. For personal preference or to avoid any obstruction underneath body metal, step can be moved left or right. When positioning the step against the body metal be sure to avoid all bumps and screws to make sure that the step is against a flat surface.
3. When you have found the position of where you want your step, mark the center on the pinch weld. See Marked Center Line on drawing.
4. On each side of the marked center line, mark two more lines 6 3/4" apart. Center punch the two outside lines in the middle (the vertical distance between the top of the pinch weld to the bottom edge of the pinch weld)
5. Take a 1/8" drill bit and drill out the centered punched holes.
6. Replace the 1/8" drill bit and drill out the 1/8" hole with a 5/16" drill bit. (Warning: when drilling holes leave at least 1/8" of metal between the hole and the outside edge of the pinch weld. If the 5/16" flat washer does not fit on the outside pinch weld due to interference, do not use them).
7. After drilling make sure that all the burrs are removed.
8. Place the step assembly back on the vehicle where the two holes were drilled. Be sure to install the space tubes.
9. Use the 5/16" x 2 1/2" bolts with the 5/16" hex nuts and 5/16" washers to securely tighten the brackets on the vehicle.
10. Using the top 1/4" hole at the top of each bracket, take a 1/8" drill bit and drill holes into the body metal. Take the 5/8" sheet metal screws provided and securely tighten. (Drilling at an angle may be necessary due to interference or for proper alignment).
11. If your step is not level, you can select a different hole on each steel bracket that will move the step up or down depending on the direction you need.
12. Check again and securely tighten ALL hardware.
13. We advise putting silicone sealer around the top 1/8" drilled holes
14. After one month of use, go back and give all hardware a final tightening.

Carr Pattern Co., Inc. Warranty Policy

Finishes: Limited Lifetime

Structural Warranty: Limited Lifetime

Warranty Conditions:

- a. All warranties start from consumer's date of purchase.
- b. A new product will be sent out immediately to replace a warranty claim.
- c. The above guidelines apply only to the Original Purchaser.
- d. Original proof of purchase must be submitted for all warranty and returns issues.

Warranty Limitations:

- a. Warranty coverage extends ONLY to repair or replacement of the CARR product. This warranty does not cover the cost of labor, transportation, installation or removal of the product.
- b. Warranty coverage does not extend to damage caused by: collision, fire, theft, freezing, vandalism, riot, explosion or object striking the product, or misuse of the product and/or the vehicle on which the product is being installed.
- c. Warranty coverage does not extend to damage caused by: airborne fallout (chemicals, tree sap, etc.), stones, hail, earthquake, water or flood, windstorm, lightning, the application of chemicals or sealants subsequent to manufacture.
- d. Warranty coverage does not extend to damages caused by: normal wear and tear, abuse, modification or improper installation of the product.
- e. Warranty coverage does not extend to any economic loss or extra expense including (without limitation), payment for the loss of time or pay, inconvenience, storage, loss of vehicle use, vehicle rental expense, equipment rental expense, lodging, meals, or other travel costs.

Other Terms:

This warranty gives you specific legal rights and you may also have other rights that vary from state to state. CARR does not authorize any person to create for it any other obligation or liability in connection with its products. ANY IMPLIED WARRANTY OF MERCHANTABILITY OR FITNESS FOR A PARTICULAR PURPOSE APPLICABLE TO THIS PRODUCT IS LIMITED IN DURATION TO THE DURATION OF THIS WRITTEN WARRANTY. PERFORMANCE OF REPAIRS AND NEEDED ADJUSTMENTS IS THE EXCLUSIVE REMEDY UNDER THIS WRITTEN WARRANTY OR ANY IMPLIED WARRANTY. CARR SHALL NOT BE LIABLE FOR INCIDENTAL OR CONSEQUENTIAL DAMAGES RESULTING FROM BREACH OF THIS WRITTEN WARRANTY.*

*Some states do not allow limitations on how long an implied warranty will last or the exclusion or limitation of incidental or consequential damages, so that above limitations or exclusions may not apply to you.

Guarantee: Every attempt has been made to manufacture and distribute the finest quality products available. Our manufactured products are guaranteed to be free of defects due to workmanship or materials. Distributed products are subject to manufacturer's warranty only.