



Quality and Style that Endures

Follow the diagram and the written directions carefully for a proper, safe installation.

Should you encounter an unusual, unforeseen problem, contact our Technical Help Line
7:00 AM – 3:00 PM Pacific Time

(800) 800-1084

Visit our website at

www.CARR.com

Warranty Information
on our website

Carr Pattern Co., Inc.

Vehicle Application:

Chevy/GMC

'15 - Current Colorado/Canyon

WAX YOUR
STEP ON A
REGULAR
BASIS TO
MAINTAIN ITS
LUSTER

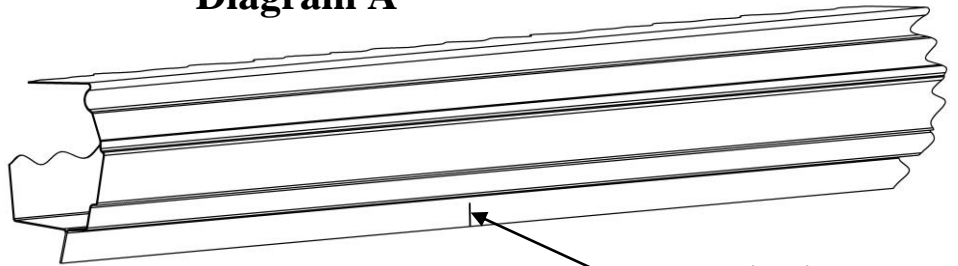
MATERIAL NEEDED:

Variable speed Drill Motor, Right-Angled Drill Motor, cutting oil, 5/16" drill bit, 3/16" drill bit, 1/8" drill bit, 2 - 1/2" wrench/socket, 2 - 7/16" wrench/socket, center punch, hammer, marker or pencil.

MATERIAL FURNISHED:

1 – Hoop II Step Castings, 2 – Mounting Brackets, 1 – Hardware pack.
1 – Instruction sheet.

Diagram A



Marked vertical line on the outside painted pinch weld that lines up with the front edge of the seat.

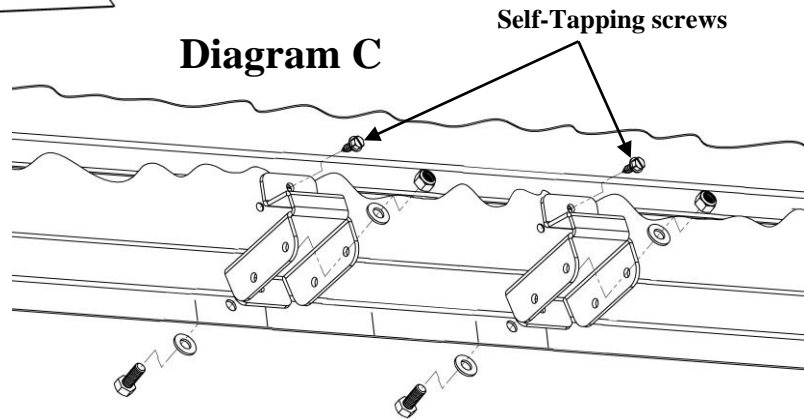
Diagram B



Marked vertical line that was transferred from Diagram A to the inside of the rocker panel.

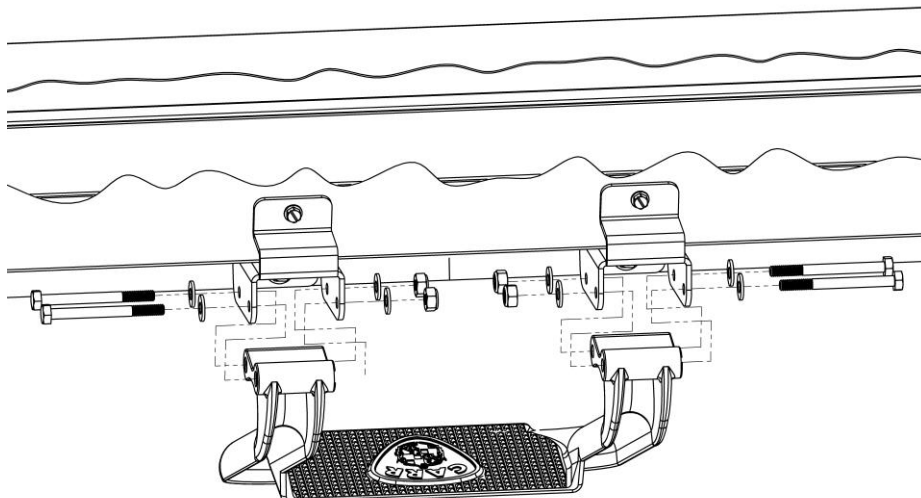
Marked lines from edges of Mounting Brackets with marked holes from the same Mounting Brackets.

Diagram C



Self-Tapping screws

Diagram D



YouTube



SCAN ME

Scan this code
to go directly to
the installation
video



Hoop II Step Installation Instructions

Part No's: 103331-1 / 103332-1 / 103337-1

Approximate installation time for one step – 30 minutes!



WARNING!

- ✓ Do not over tighten nuts and bolts as damage to the castings and/or stripping of the threads could result.
- ✓ FOR SAFE AND PROPER USAGE OF THIS PRODUCT, THE MOUNTING INSTRUCTIONS MUST BE FOLLOWED CAREFULLY AND COMPLETELY.
- ✓ The manufacturer and distributor of this product are in no way responsible for the consumer's failure to adhere to the warnings and directions of these instructions in the event of damage to the consumer's vehicle, other properties and/or personal injury.



Scan this code to go
directly to the
installation video

1. For proper positioning of the step, the front edge of the seat while in normal driving position should be in line with the center of the step. For personal preference or to avoid any obstruction underneath body metal, step can be moved left or right.
2. Take a marker or pencil and mark a vertical line that lines up with the front edge of the seat on the pinch weld area of your vehicle. See DIAGRAM A.
3. Assemble the Mounting Brackets to the Step Casting as shown in DIAGRAM D. Hand tighten the hardware only.
4. When positioning the step against the body metal, be sure to avoid all bumps and screws to make sure that the step assembly is against a flat surface.
5. With both Mounting Brackets hand-tightened on the Step Casting, place the entire assembly against the inside of the rocker panel of the vehicle. Line up the center of the step with the center vertical marked line. (Be sure to avoid any bumps or obstructions on body metal. Some plastic hole covers may need to be removed to allow the step to be level. For the front driver side door, there is a wire harness that needs to be unclipped and moved up out of the way to properly install the step. Our installation video gives more details.)
6. While holding the entire assembly in place, take a pencil or marker and mark all four outside edges of the Mounting Brackets as shown in DIAGRAM B.
7. Remove the Mounting Brackets from the Step Casting.
8. Place the Mounting Brackets back against the body metal between the marked lines. Use the holes in the Mounting Brackets to mark the holes on the body metal as shown in DIAGRAM B.
9. Center punch the marked hole.
10. With the standard variable drill motor, take the 3/16 drill bit and drill out the center punched hole.
11. Take the 5/16" drill bit and drill out the 3/16" hole.
12. After drilling, make sure that all burrs are removed.
13. Take the 5/16" hardware provided and securely tighten both Mounting Brackets to the vehicle. See DIAGRAM C.
14. Place the Step Casting inside each Mounting Bracket and use the 1/4" hardware provided and securely tighten each Mounting Bracket to the Step Casting. See DIAGRAM D.
15. With a Right-Angle Drill Motor, take a 1/8" drill bit and drill two more holes through the top holes located on each Mounting Bracket. See DIAGRAM C.
16. Take the sheet metal screws provided and securely tighten. See DIAGRAM C.
17. Repeat these steps for all other doors. Your step is now ready to use!

Carr Pattern Co., Inc. Warranty Policy

Finishes: Limited Lifetime

Structural Warranty: Limited Lifetime

Warranty Conditions:

- a. All warranties start from consumer's date of purchase.
- b. A new product will be sent out immediately to replace a warranty claim.
- c. The above guidelines apply only to the Original Purchaser.
- d. Original proof of purchase must be submitted for all warranty and returns issues.

Warranty Limitations:

- a. Warranty coverage extends ONLY to repair or replacement of the CARR product. This warranty does not cover the cost of labor, transportation, installation or removal of the product.
- b. Warranty coverage does not extend to damage caused by: collision, fire, theft, freezing, vandalism, riot, explosion or object striking the product, or misuse of the product and/or the vehicle on which the product is being installed.
- c. Warranty coverage does not extend to damage caused by: airborne fallout (chemicals, tree sap, etc.), stones, hail, earthquake, water or flood, windstorm, lightning, the application of chemicals or sealants subsequent to manufacture.
- d. Warranty coverage does not extend to damages caused by: normal wear and tear, abuse, modification or improper installation of the product.
- e. Warranty coverage does not extend to any economic loss or extra expense including (without limitation), payment for the loss of time or pay, inconvenience, storage, loss of vehicle use, vehicle rental expense, equipment rental expense, lodging, meals, or other travel costs.

Other Terms:

This warranty gives you specific legal rights and you may also have other rights that vary from state to state. CARR does not authorize any person to create for it any other obligation or liability in connection with its products. ANY IMPLIED WARRANTY OF MERCHANTABILITY OR FITNESS FOR A PARTICULAR PURPOSE APPLICABLE TO THIS PRODUCT IS LIMITED IN DURATION TO THE DURATION OF THIS WRITTEN WARRANTY. PERFORMANCE OF REPAIRS AND NEEDED ADJUSTMENTS IS THE EXCLUSIVE REMEDY UNDER THIS WRITTEN WARRANTY OR ANY IMPLIED WARRANTY. CARR SHALL NOT BE LIABLE FOR INCIDENTAL OR CONSEQUENTIAL DAMAGES RESULTING FROM BREACH OF THIS WRITTEN WARRANTY.*

*Some states do not allow limitations on how long an implied warranty will last or the exclusion or limitation of incidental or consequential damages, so that above limitations or exclusions may not apply to you.

Guarantee: Every attempt has been made to manufacture and distribute the finest quality products available. Our manufactured products are guaranteed to be free of defects due to workmanship or materials. Distributed products are subject to manufacturer's warranty only.