



Hoop II Step Installation Instructions

Part No's: 109111 / 109112 / 109117



WARNINGS!

- ✓ Do not over tighten the nuts and bolts or damage to the castings and or stripping of the threads could result.
- ✓ FOR SAFE AND PROPER USAGE OF THIS PRODUCT, THE MOUNTING INSTRUCTIONS MUST BE FOLLOWED CAREFULLY AND COMPLETELY.
- ✓ The manufacturer and distributor of this product are in no way responsible for the consumer's failure to adhere to the warnings and directions of these instructions in the event of damage to the consumer's vehicle, other properties and or personal injury.

Vehicle Application:

RAM

'19-Current 1500 All Cabs/All doors
NEW BODY STYLE

**WAX YOUR STEP ON A
REGULAR BASIS TO
MAINTAIN ITS LUSTER**

MATERIAL NEEDED:

Variable speed Drill Motor, cutting oil,
5/16" drill bit (**solid carbide**), 3/16" drill
bit (**solid carbide**), 2 - 1/2" wrench/socket,
2 - 7/16" wrench/socket, center punch,
hammer, marker or pencil, flat blade
screwdriver or 5/16" socket.

MATERIAL FURNISHED:

Two step castings, four mounting brackets,
instruction page and two hardware packs.
(Not all hardware may be used)



Quality and Style that Endures

Follow the diagram and the
written directions carefully for
a proper, safe installation.
Should you encounter an
unusual, unforeseen problem,
contact our Technical Help
Line
7:00 AM – 3:00 PM Pacific
Time

(951) 719-1068

Visit our web-site at
www.CARR.com
Warranty Information
on our website
Carr Pattern Co., Inc.

Carr Pattern Co., Inc. Warranty Policy

Finishes: Limited Lifetime

Structural Warranty: Limited Lifetime

Warranty Conditions:

- All warranties start from consumer's date of purchase.
- A new product will be sent out immediately to replace a warranty claim.
- The above guidelines apply only to the Original Purchaser.
- Original proof of purchase must be submitted for all warranty and returns issues.

Warranty Limitations:

- Warranty coverage extends ONLY to repair or replacement of the CARR product. This warranty does not cover the cost of labor, transportation, installation or removal of the product.
- Warranty coverage does not extend to damage caused by: collision, fire, theft, freezing, vandalism, riot, explosion or object striking the product, or misuse of the product and/or the vehicle on which the product is being installed.
- Warranty coverage does not extend to damage caused by: airborne fallout (chemicals, tree sap, etc.), stones, hail, earthquake, water or flood, windstorm, lightning, the application of chemicals or sealants subsequent to manufacture.
- Warranty coverage does not extend to damages caused by: normal wear and tear, abuse, modification or improper installation of the product.
- Warranty coverage does not extend to any economic loss or extra expense including (without limitation), payment for the loss of time or pay, inconvenience, storage, loss of vehicle use, vehicle rental expense, equipment rental expense, lodging, meals, or other travel costs.

Other Terms:

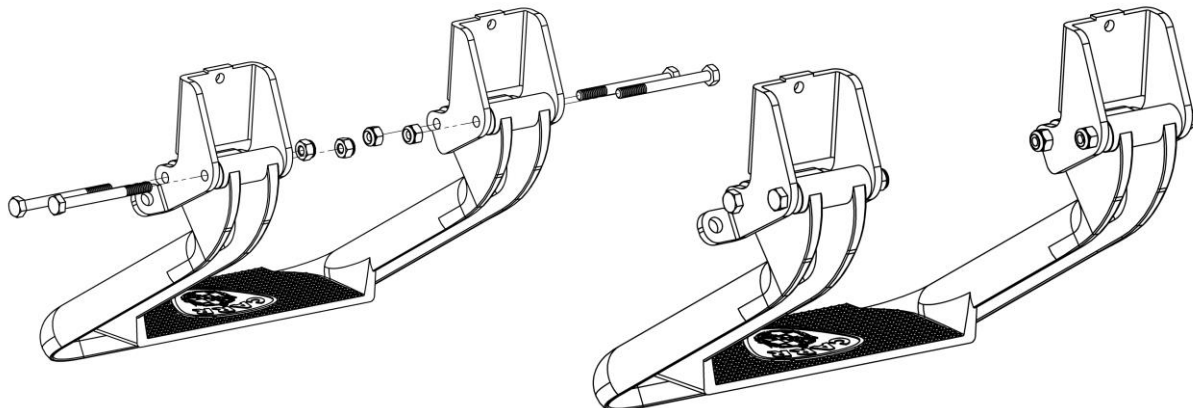
This warranty gives you specific legal rights and you may also have other rights that vary from state to state. CARR does not authorize any person to create for it any other obligation or liability in connection with its products. ANY IMPLIED WARRANTY OF MERCHANTABILITY OR FITNESS FOR A PARTICULAR PURPOSE APPLICABLE TO THIS PRODUCT IS LIMITED IN DURATION TO THE DURATION OF THIS WRITTEN WARRANTY. PERFORMANCE OF REPAIRS AND NEEDED ADJUSTMENTS IS THE EXCLUSIVE REMEDY UNDER THIS WRITTEN WARRANTY OR ANY IMPLIED WARRANTY. CARR SHALL NOT BE LIABLE FOR INCIDENTAL OR CONSEQUENTIAL DAMAGES RESULTING FROM BREACH OF THIS WRITTEN WARRANTY*

*Some states do not allow limitations on how long an implied warranty will last or the exclusion or limitation of incidental or consequential damages, so that above limitations or exclusions may not apply to you.

Guarantee: Every attempt has been made to manufacture and distribute the finest quality products available. Our manufactured products are guaranteed to be free of defects due to workmanship or materials. Distributed products are subject to manufacturer's warranty only.

- Using the 1/4" hardware provided, assemble the steel mounting brackets to each step casting as indicated in this drawing. Securely tighten all hardware. DO NOT use flat washers!

ALL DRAWINGS ARE VIEWED FROM THE DRIVERS SIDE





Hoop II Step Installation Instructions

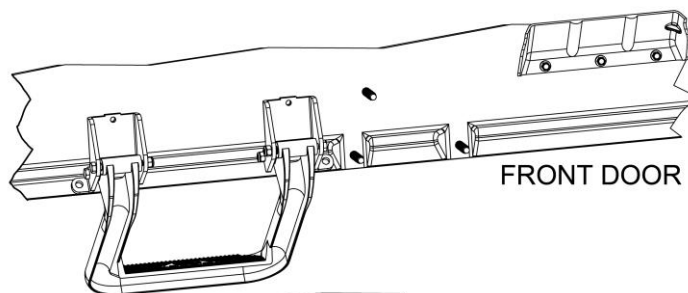
Part No's: 109111 / 109112 / 109117

RAM '19-Current 1500 All Cabs/All Doors



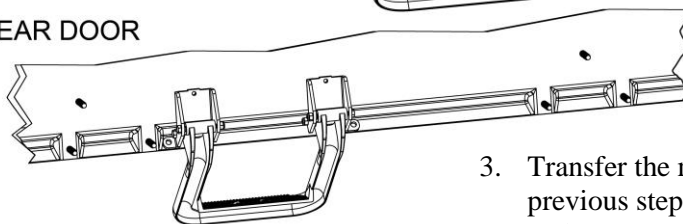
ALL DRAWINGS ARE VIEWED FROM THE DRIVERS SIDE

2. Place each step in the position indicated in each drawing. Move the front door step so that the front steel mounting bracket is up against the three-bolt cluster. Move the rear door step against the other three-bolt cluster. Mark the bottom edge of the pinch weld where each hole center will be drilled. Transfer those marks on the body metal referred to in the next step.

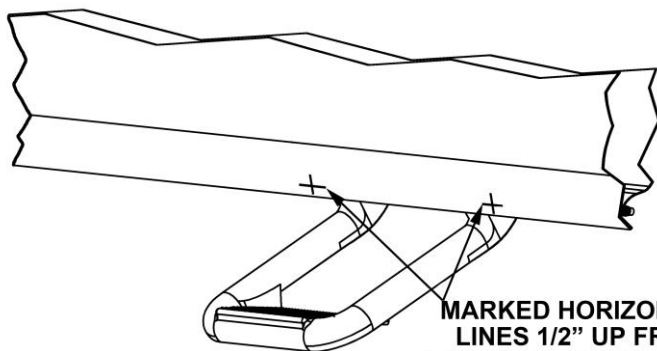


FRONT DOOR

REAR DOOR



3. Transfer the marks from the previous step and mark the front and rear step on the outside body metal as indicated on this drawing. Center punch marked lines. With the variable drill motor, using plenty of cutting oil, take a 3/16" **solid carbide** drill bit and drill out at a slow speed the centered punched holes. Again, using plenty of cutting oil and at a slow speed, drill out the 3/16" hole with the 5/16" **solid carbide** drill bit.



**MARKED HORIZONTAL
LINES 1/2" UP FROM
BOTTOM OF PINCH WELD**

4. Take the 5/16" hardware provided and securely mount the step assembly to the body of the vehicle. Do not use any flat washer under the 5/16" nylon nuts. Using the top 1/4" holes in each steel mounting bracket as a guide, drill out each hole with a 3/16" drill bit. Install the four sheet metals screws as indicated using the flat blade screwdriver or the 5/16 socket. Now your steps are ready to go! Repeat the same steps for the passenger side.

