

HD Mega Ladder Rack Step Installation Instructions

Part No's: 195001 / 195002 / 195007



SCAN ME

Scan
to see
install
video

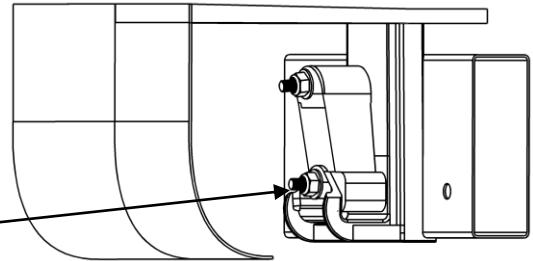
MATERIAL NEEDED:

WD 40, Wrench with ½" socket, Breaker bar wrench with 21mm socket, ½" open end wrench, 18mm open/box wrench (open end works better), heavy duty ratchet wrench with 21mm socket, Torque foot pounds wrench set to 100 ft. lbs., safety glasses, gloves, Gojo or similar.

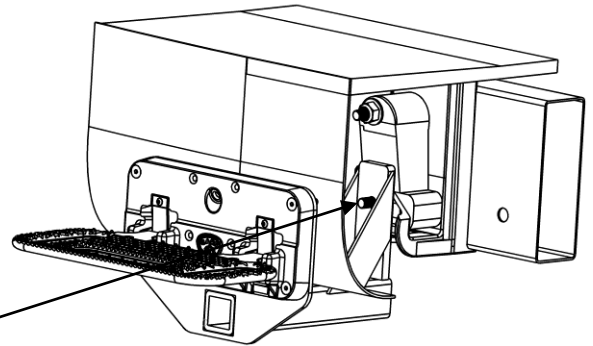
MATERIAL FURNISHED:

Step assembly, hardware pack, instructions.

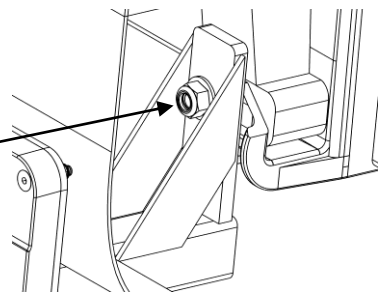
1. Locate the rear spring shackle assembly for either the driver or passenger side. This step assembly will work the same on both sides. The exhaust tail pipe will not interfere with the step assembly on the passenger side. With your safety glasses on, take the WD 40 and liberally spray the bottom nut.



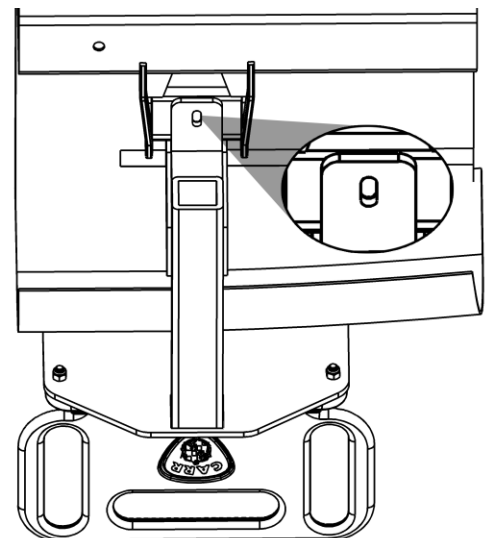
2. Using the Breaker Bar wrench with a 21mm socket, or an impact wrench if available and break loose the nut. You will need the 18mm wrench to hold the head of the bolt on the other side. Use the open end of the 18mm wrench to make it easier to take the wrench off. If you don't have an impact wrench, use the ratchet wrench with the 21mm socket to unscrew the bolt the rest of the way. Remove the large nut on the bottom bolt. Slip the step assembly on the bolt as shown. **IMPORTANT: Having two people placing the step on the vehicle is advisable.**



3. With the step assembly on the bolt, screw the nut back on to the vehicle only half way. **DO NOT TIGHTEN.**



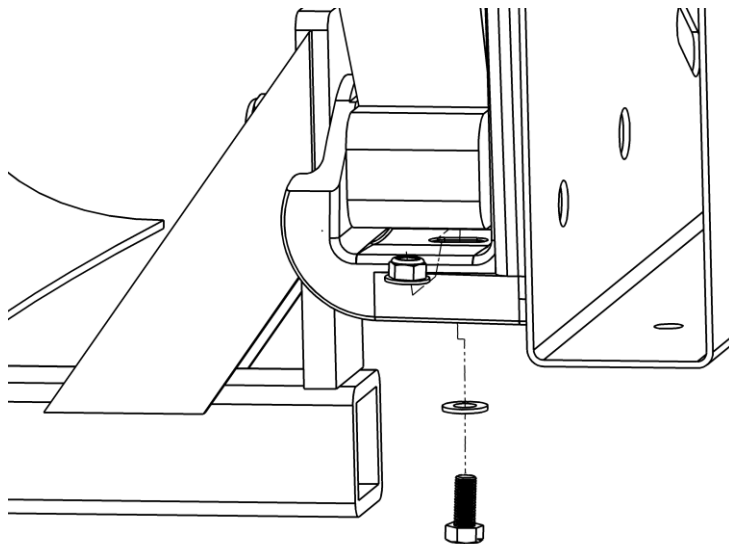
4. From underneath the step assembly, line up the slot in the tab of the step assembly with the slot on the bottom of the spring shackle assembly on the vehicle.



HD Mega Ladder Rack Step Installation Instructions

Part No's: 195001 / 195002 / 195007

5. Place the 5/16-18 nylon flange nut on the top of the slot below the spring shackle assembly as shown in the diagram. With the slots lined up, take the 5/16" X 1" bolt with the washer and screw the bolt into the flange nut. Hand tighten ONLY.



Vehicle Application:

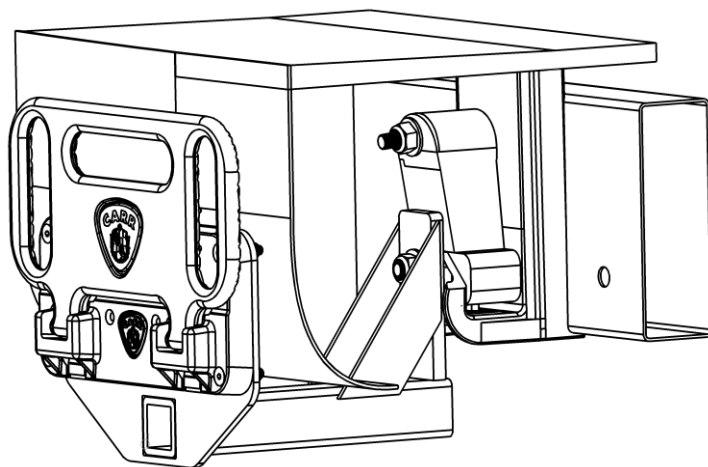
Chevy

'96-'22 Express Van

GMC

'96-'22 Savana Van

6. Tighten the large nut and screw it back on to the bolt that attaches to the spring shackle assembly. When the nut is all the way on, use your torque wrench and tighten the nut to 100 ft. lbs. From the bottom, take the 1/2" ratchet wrench with the 1/2" open end wrench on the 5/16" flange nut and securely tighten this bolt. Now your step is ready to go. Repeat for the other side.



Quality and Style that Endures

Follow the diagram and the written directions carefully for a proper, safe installation.

Should you encounter an unusual, unforeseen problem, contact our

Technical Help Line

7:00 AM – 3:00 PM Pacific Time

(951) 719-1068

Visit our web-site at

[Warranty Information](http://www.CARR.com)
on our website

www.CARR.com

Carr Pattern Co., Inc.

Carr Pattern Co., Inc.
Warranty Policy

Finishes: Limited Lifetime

Structural Warranty: Limited Lifetime

Warranty Conditions:

- All warranties start from consumer's date of purchase.
- A new product will be sent out immediately to replace a warranty claim.
- The above guidelines apply only to the Original Purchaser.
- Original proof of purchase must be submitted for all warranty and returns issues.

Warranty Limitations:

- Warranty coverage extends ONLY to repair or replacement of the CARR product. This warranty does not cover the cost of labor, transportation, installation or removal of the product.
- Warranty coverage does not extend to damage caused by: collision, fire, theft, freezing, vandalism, riot, explosion or object striking the product, or misuse of the product and/or the vehicle on which the product is being installed.
- Warranty coverage does not extend to damage caused by: airborne fallout (chemicals, tree sap, etc.), stones, hail, earthquake, water or flood, windstorm, lightning, the application of chemicals or sealants subsequent to manufacture.
- Warranty coverage does not extend to damages caused by: normal wear and tear, abuse, modification or improper installation of the product.
- Warranty coverage does not extend to any economic loss or extra expense including (without limitation), payment for the loss of time or pay, inconvenience, storage, loss of vehicle use, vehicle rental expense, equipment rental expense, lodging, meals, or other travel costs.

Other Terms:

This warranty gives you specific legal rights and you may also have other rights that vary from state to state. CARR does not authorize any person to create for it any other obligation or liability in connection with its products. ANY IMPLIED WARRANTY OF MERCHANTABILITY OR FITNESS FOR A PARTICULAR PURPOSE APPLICABLE TO THIS PRODUCT IS LIMITED IN DURATION TO THE DURATION OF THIS WRITTEN WARRANTY. PERFORMANCE OF REPAIRS AND NEEDED ADJUSTMENTS IS THE EXCLUSIVE REMEDY UNDER THIS WRITTEN WARRANTY OR ANY IMPLIED WARRANTY. CARR SHALL NOT BE LIABLE FOR INCIDENTAL OR CONSEQUENTIAL DAMAGES RESULTING FROM BREACH OF THIS WRITTEN WARRANTY.*

*Some states do not allow limitations on how long an implied warranty will last or the exclusion or limitation of incidental or consequential damages, so that above limitations or exclusions may not apply to you.

Guarantee: Every attempt has been made to manufacture and distribute the finest quality products available. Our manufactured products are guaranteed to be free of defects due to workmanship or materials. Distributed products are subject to manufacturer's warranty only.