

LD Step Installation Instructions

Part No's: 114991 / 114992 / 114997



Quality and Style that Endures

Follow the diagram and the written directions carefully for a proper, safe installation.

Should you encounter an unusual, unforeseen problem, contact our

Technical Help Line

7:00 AM – 3:00 PM Pacific Time

(951) 719-1068

visit our web-site at

www.CARR.com

Warranty Information

on our website

Carr Pattern Co., Inc.

Vehicle Application:

FORD

'98-'11 Ranger 2-Door Only

MAZDA

'98-'10 B-Series Pick-up 2-Door Only

MATERIAL NEEDED:

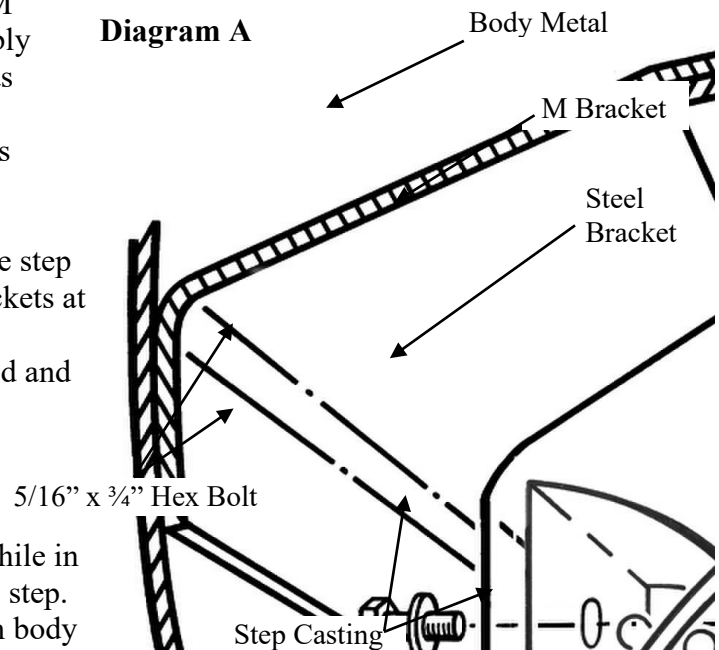
Drill motor, 5/16" drill bit, pencil, center punch, two 1/2" wrenches.

MATERIAL FURNISHED:

Two step castings, four zinc plated steel brackets, four M Brackets, two hardware packs and instruction page.

1. Before positioning the M Bracket and step assembly against the body metal as shown in **Diagram A** assemble the M Brackets together with the steel mounting brackets only.
NOTE: Do not attach the step castings to the steel brackets at this time.

Diagram A



2. Use the 5/16" x 3/4" hex bolts and other 5/16" hardware provided and securely bolt together the steel brackets and M Brackets.

3. Now place the step casting up into each steel bracket. Use the 1/4" hardware provided and securely tighten all hardware.

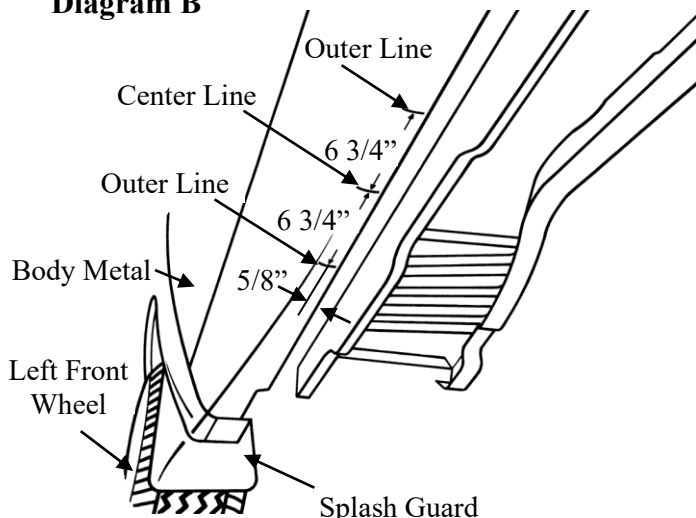
See **Diagram A**.

4. For the proper position of the step, the front edge of the seat while in normal driving position should be in line with the center of the step. For personal preference or to avoid any obstruction underneath body metal, step assembly can be moved left or right.

5. Once the desired position of the step as been found, take a pencil and mark the center of the step on the painted body metal of your truck, on the bottom of the rocker panel.

NOTE: This operation is much easier to do while on your back. Refer to **Diagram B**.

Diagram B



6. Measure 6 3/4" from each side of the marked center line on the same body metal surface.

7. Measure 5/8" in from the edge of the body metal, and mark a line across the marked outside lines. Refer to **Diagram B**.

8. Center-punch where the lines cross, then drill them out with 5/16" drill bit.

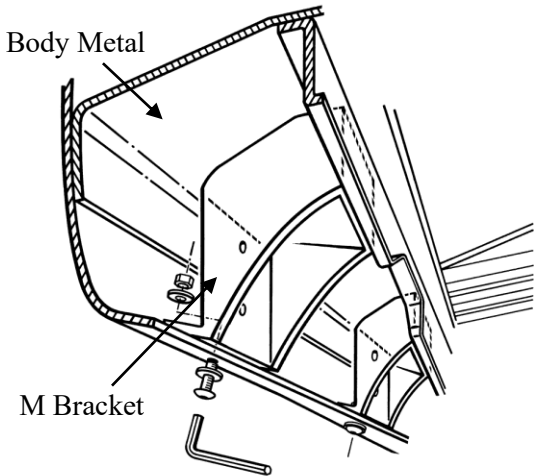
LD Step Installation Instructions

Part No's: 114991 / 114992 / 114997

WARNINGS!

- ✓ Do not over tighten the nuts and bolts or damage to the castings and or stripping of the threads could result.
- ✓ FOR SAFE AND PROPER USAGE OF THIS PRODUCT, THE MOUNTING INSTRUCTIONS MUST BE FOLLOWED CAREFULLY AND COMPLETELY.
- ✓ The manufacturer and distributor of this product are in no way responsible for the consumer's failure to adhere to the warnings and directions of these instructions in the event of damage to the consumer's vehicle, other properties and or personal injury.

Diagram C



9. Move the entire step assembly over each hole. Take the 5/16" button head bolts, Allen wrench, and hardware provided and hand tighten each M Bracket. Refer to **Diagram C**. NOTE: If the holes don't line up perfectly, oversize the holes in the M Brackets until the holes line up. IMPORTANT: The body metal should not protrude beyond the M Bracket where the step will mount! If it does, oversize the holes in the M Brackets until the edge of the body metal is flush with the flat mounting area of the step. Refer to **Diagrams D & E**.

Diagram D

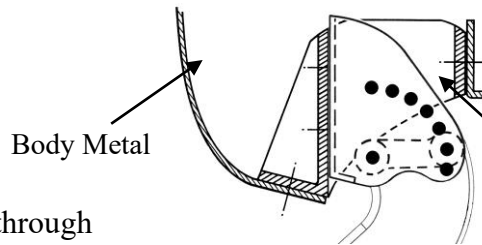
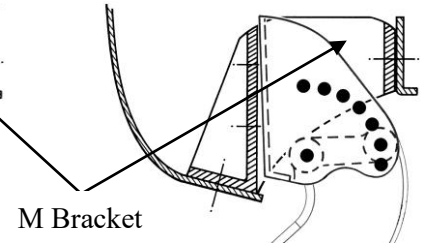
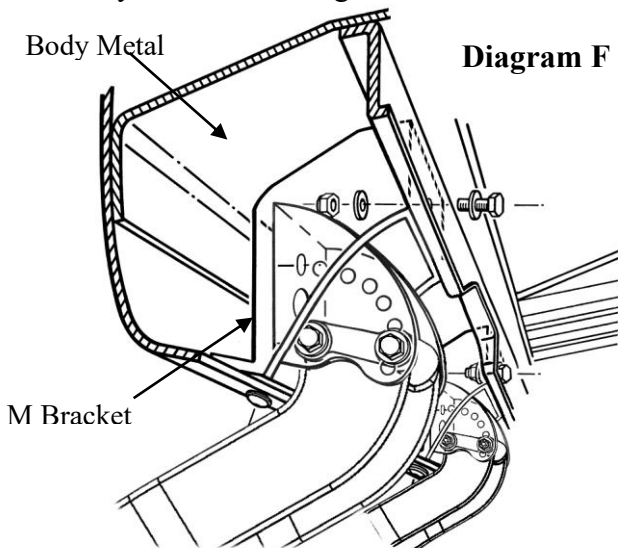


Diagram E



10. Take your drill motor and drill a 5/16" hole through the body metal and the center of the back side of the M Bracket. This hole will have to be drilled at an angle unless you have a 90 degree drill motor. Refer to **Diagram F**.

Diagram F



11. Take the remaining 5/16" hardware and bolt the M Brackets to the body metal.
12. Tighten all hardware securely.
13. Repeat the same procedures for the other side.
14. To maintain the luster of your steps, polish them with aluminum polish as often as you clean your vehicle.

Carr Pattern Co., Inc.
Warranty Policy

Finishes: Limited Lifetime
Structural Warranty: Limited Lifetime

Warranty Conditions:

- All warranties start from consumer's date of purchase.
- A new product will be sent out immediately to replace a warranty claim.
- The above guidelines apply only to the Original Purchaser.
- Original proof of purchase must be submitted for all warranty and returns issues.

Warranty Limitations:

- Warranty coverage extends ONLY to repair or replacement of the CARR product. This warranty does not cover the cost of labor, transportation, installation or removal of the product.
- Warranty coverage does not extend to damage caused by: collision, fire, theft, freezing, vandalism, riot, explosion or object striking the product, or misuse of the product and/or the vehicle on which the product is being installed.
- Warranty coverage does not extend to damage caused by: airborne fallout (chemicals, tree sap, etc.), stones, hail, earthquake, water or flood, windstorm, lightning, the application of chemicals or sealants subsequent to manufacture.
- Warranty coverage does not extend to damages caused by: normal wear and tear, abuse, modification or improper installation of the product.
- Warranty coverage does not extend to any economic loss or extra expense including (without limitation), payment for the loss of time or pay, inconvenience, storage, loss of vehicle use, vehicle rental expense, equipment rental expense, lodging, meals, or other travel costs.

Other Terms:

This warranty gives you specific legal rights and you may also have other rights that vary from state to state. CARR does not authorize any person to create for it any other obligation or liability in connection with its products. ANY IMPLIED WARRANTY OF MERCHANTABILITY OR FITNESS FOR A PARTICULAR PURPOSE APPLICABLE TO THIS PRODUCT IS LIMITED IN DURATION TO THE DURATION OF THIS WRITTEN WARRANTY. PERFORMANCE OF REPAIRS AND NEEDED ADJUSTMENTS IS THE EXCLUSIVE REMEDY UNDER THIS WRITTEN WARRANTY OR ANY IMPLIED WARRANTY. CARR SHALL NOT BE LIABLE FOR INCIDENTAL OR CONSEQUENTIAL DAMAGES RESULTING FROM BREACH OF THIS WRITTEN WARRANTY.*

*Some states do not allow limitations on how long an implied warranty will last or the exclusion or limitation of incidental or consequential damages, so that above limitations or exclusions may not apply to you.

Guarantee: Every attempt has been made to manufacture and distribute the finest quality products available. Our manufactured products are guaranteed to be free of defects due to workmanship or materials. Distributed products are subject to manufacturer's warranty only.